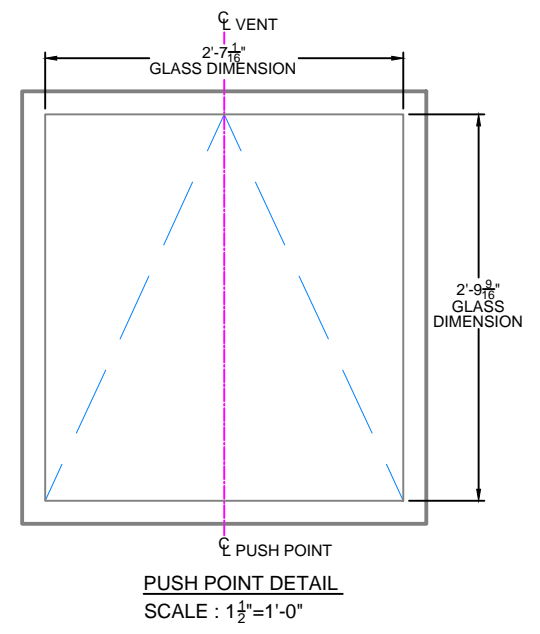
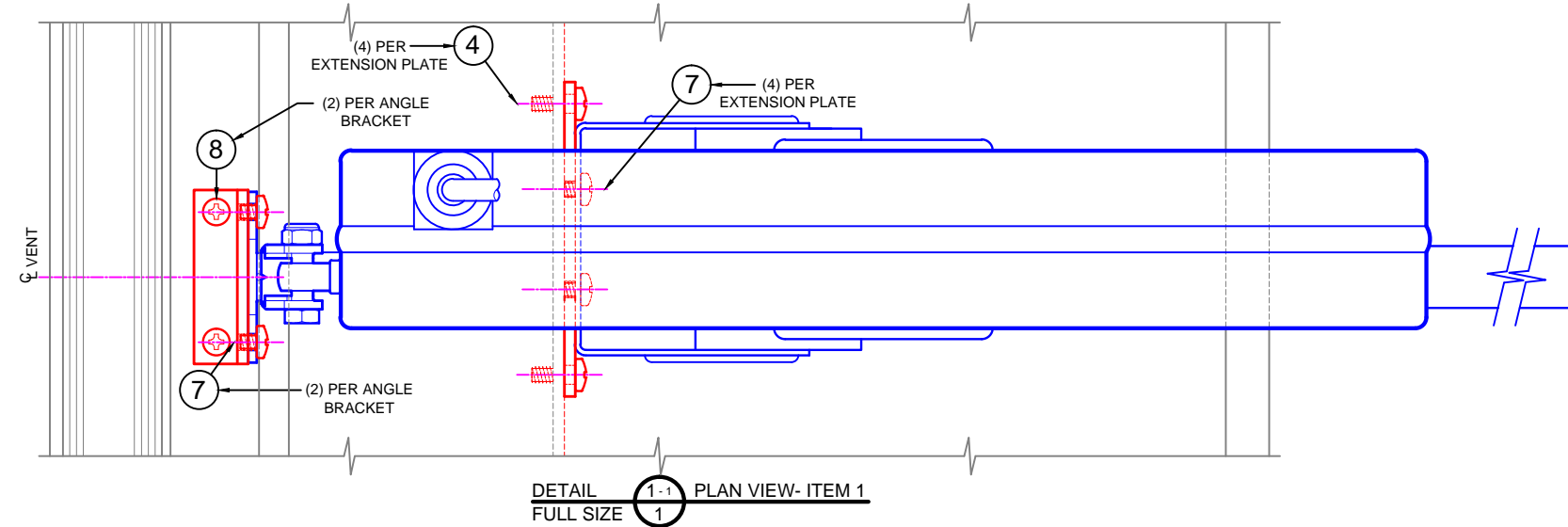
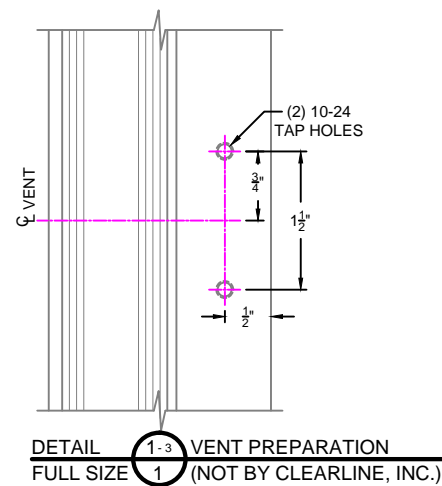


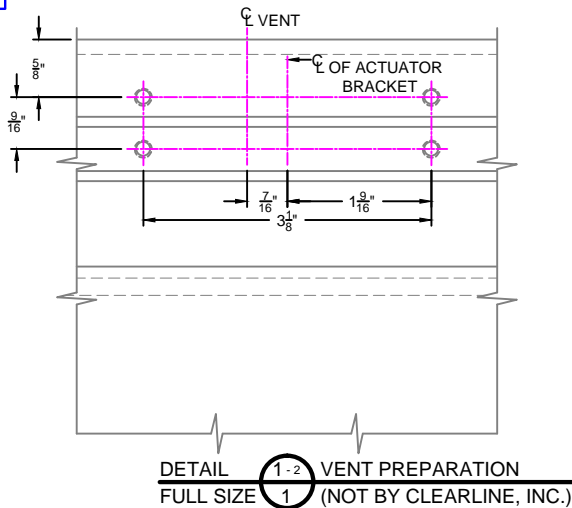
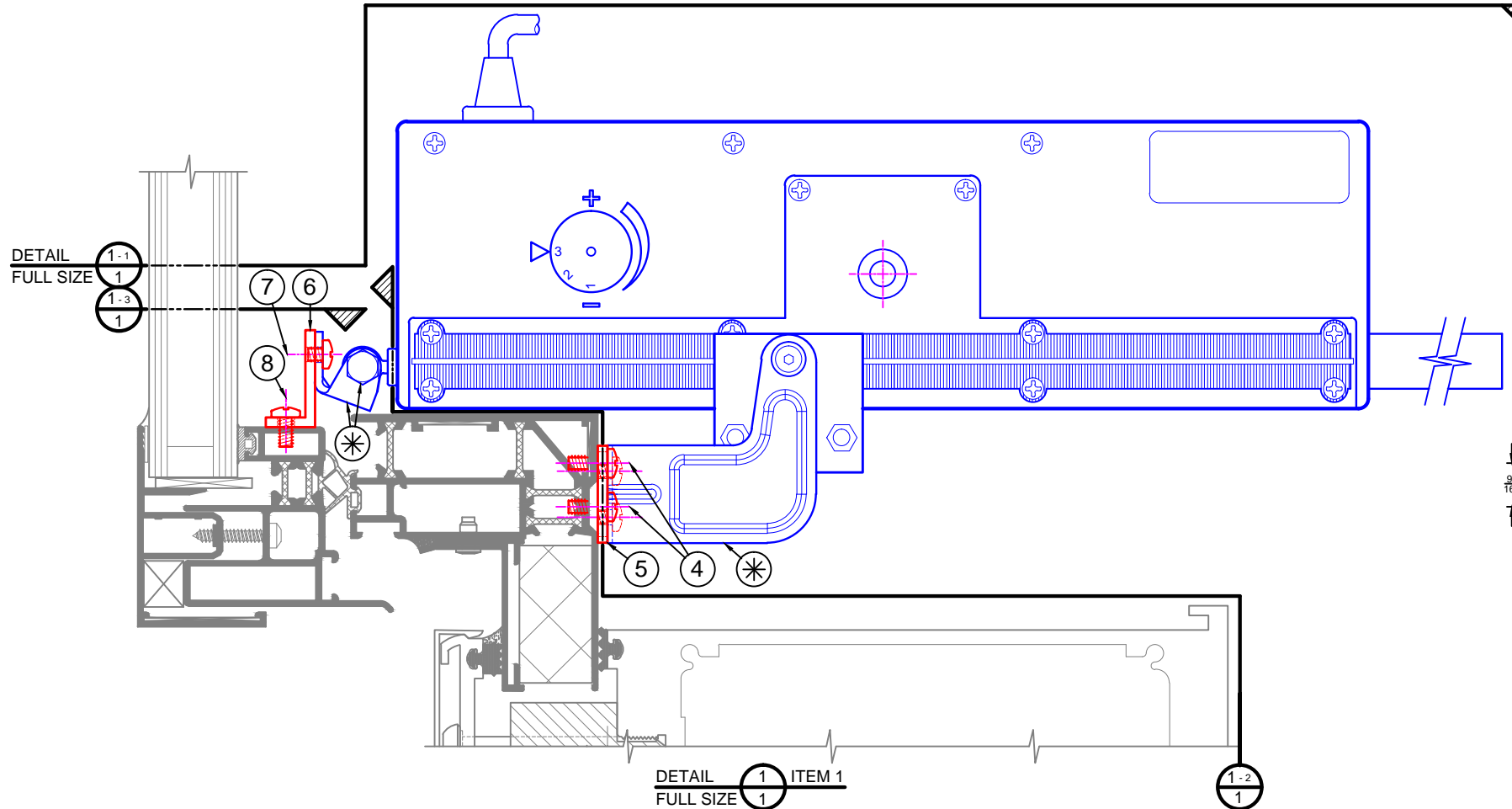
ELECTRICAL NOTES:

1. OUR MOTORIZED SYSTEM INCLUDES: THE ACTUATOR, 3-POSITION SWITCH, POWER SUPPLY, ACTUATOR GROUP CONTROLLER AND CLEARLINE ATTACHMENT AT THE WINDOW. IT DOES NOT INCLUDE: ANY INSTALLATION, FIELD WIRING, SWITCH BOXES, ELECTRICAL CONDUITS, OR JUNCTION BOXES NECESSARY TO COMPLY WITH ELECTRICAL CODES FOR 120V AND LOW VOLTAGE WIRING REQUIREMENTS. NOTE: PROVISIONS FOR PROPER FIELD WIRING MUST BE COORDINATED WITH ELECTRICAL CONTRACTOR.
2. THIS MOTORIZED SYSTEM AS SUPPLIED CAN BE CONTROLLED BY THERMOSTAT OR AUTOMATICALLY.
3. AUTO-MANUALSWITCH (ITEM 2), CONTROL PANEL (ITEM 3) CAN BE PLACED AT ANY LOCATION WITHIN 100 FT.
4. REFER TO WIRING DIAGRAM ED-XXX : (9) ACTUATORS CONTROLLED BY A CONTROL PANEL (ITEMS 3) FROM (1) ROCKER SWITCH (ITEM 2).
5. 5° DIFFERENTIAL REQUIRED FOR THERMOSTAT CONTROL.
6. WINDOWS MUST BE FULLY OPEN BEFORE EXHAUST FANS START.
7. REQUIRES MOMENTARY COMMAND FROM BUILDING MANAGEMENT SYSTEM.



GENERAL NOTES :

1. ⊗ DENOTES ITEMS SUPPLIED WITH ACTUATOR.
2. THESE CONTROLS WILL OPEN VENT 8".
3. PARTS HAVE A 'GREY FINISH'.
4. ALL ELEVATIONS ARE VIEWED FROM THE INSIDE.
5. VENTS MUST MOVE FREELY - FINGER-TIP OPERATION. FOR EASE OF OPERATION, HINGES SHOULD BE ZERO FRICTION & SUPPLIED WITH LOOSE 'RIVETS'.
6. WARNING : KEEP HANDS/CHILDREN AWAY WHILE OPERATING WINDOWS.



9	2130	SET-UP SWITCH	
8	10-24	PAN HEAD MACHINE SCREW X 3/8	
7	10-24	PAN HEAD MACHINE SCREW X 3/16	
6	2156	ANGLE BRACKET	
5	2155	EXTENSION BRACKET	
4	10-24	PAN HEAD MACHINE SCREW X 1/2	
3	2320-2.25	CONTROL PANEL	
2	2033	ROCKER SWITCH	
1	2150G	RACK ACTUATOR	
ITEM	PART NO.	DESCRIPTION	QTY.

PROJECT: **SAMPLE RACK ACTUATOR**

CUSTOMER: _____
 ORDER NO.: _____
 ARCHITECT: _____
 WINDOW MFR. COLT

DWN BY: _____ DATE: _____ CKD BY: _____ DATE: _____ REVISED: _____

CLEARLINE INCORPORATED
 WINDOW CONTROL SYSTEMS
 P.O. BOX 1368
 NORTH WALES, PENNSYLVANIA 19454

SCALE: _____ CLEARLINE JOB NO.: _____ SHEET NO.: _____
 AS NOTED 1 OF 1