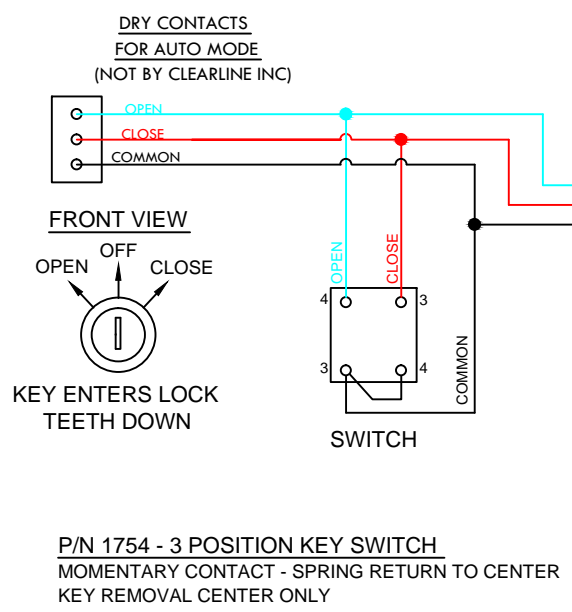
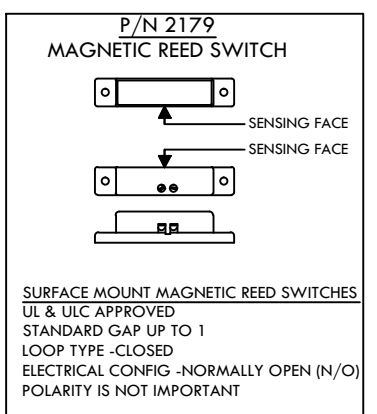
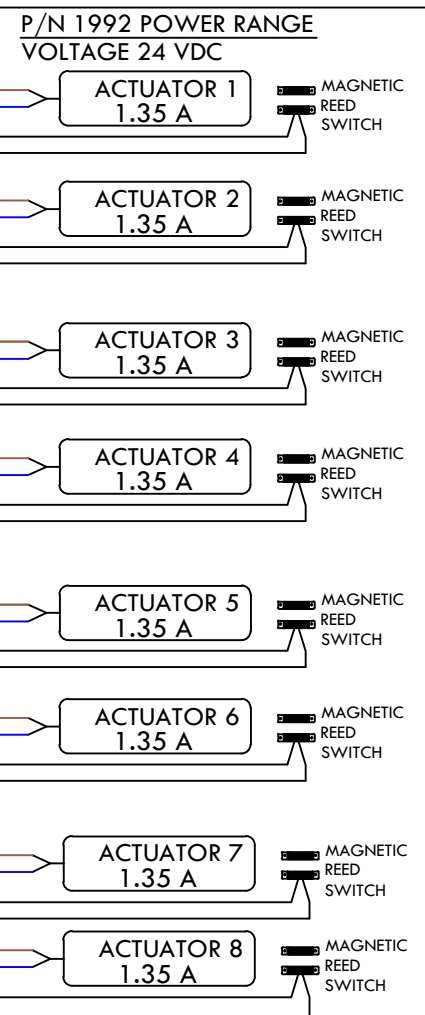
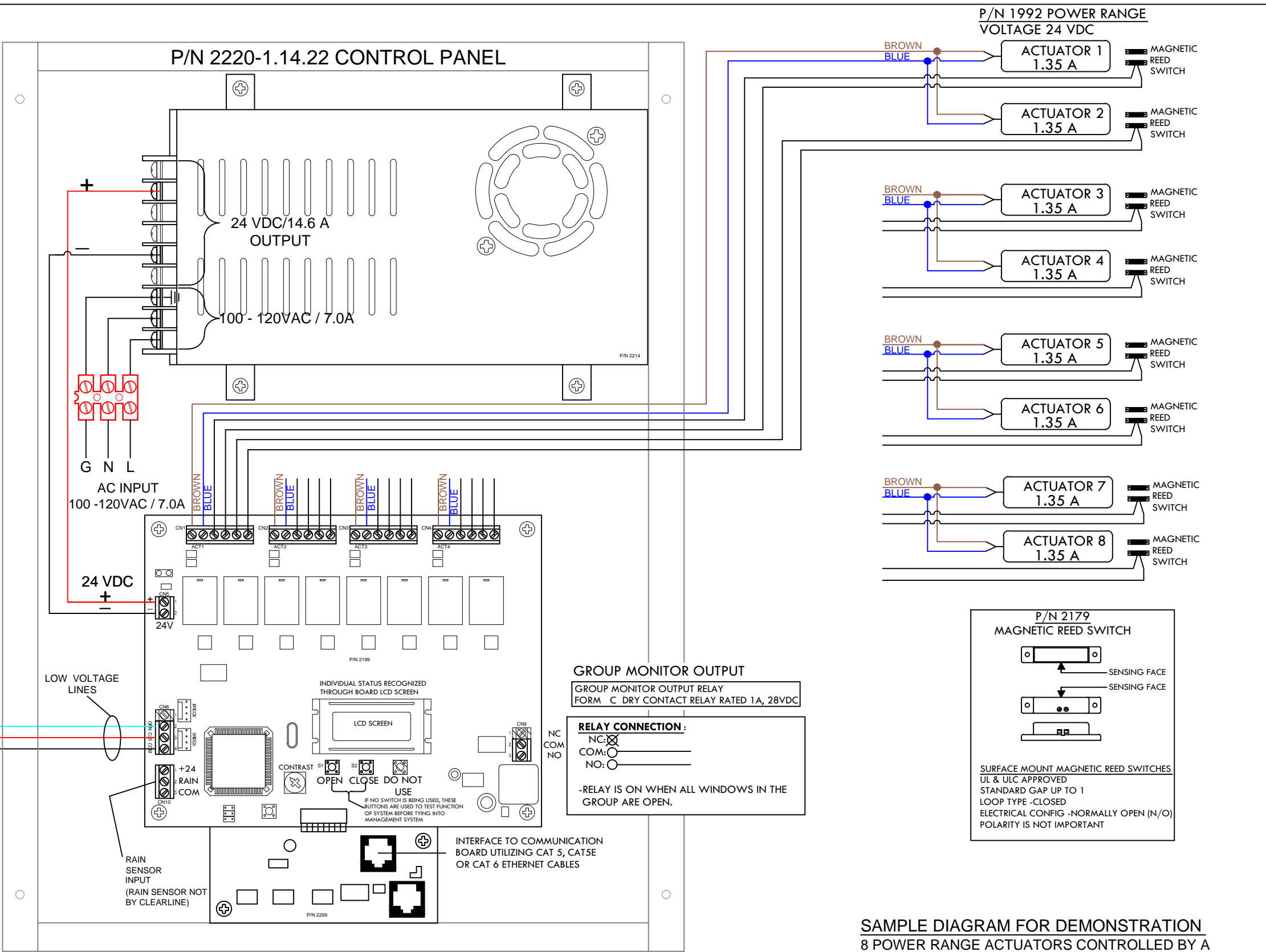


CONTROL PANEL PROVIDES STATUS (OPEN OR CLOSED) OF A GROUP OF WINDOWS USING MAGNETIC CONTACTS VIA GROUP MONITOR OUTPUT AND/OR CAT5 ETHERNET CABLE TO THE BUILDING MANAGEMENT SYSTEM.

CAUTION:
-SHORT CIRCUITING ONE OF THE ACTUATOR OUTPUTS ON THE P/N 2220 CONTROLLER, EVEN MOMENTARILY, WHILE IT IS OPENING OR CLOSING MAY CAUSE SIGNIFICANT DAMAGE. PLEASE DOUBLE CHECK ALL WIRING BEFORE APPLYING POWER!

GENERAL NOTES:
-POLARITY MUST BE OBSERVED FOR ACTUATOR CONNECTION.
-REQUIRES A TIMED MOMENTARY COMMAND FROM MANAGEMENT SYSTEM.
-5 DEGREE OR HIGHER DIFFERENTIAL REQUIRED (THERMOSTAT).
-VENTS MUST BE FULLY OPEN BEFORE EXHAUST FANS START.
-CONTROL PANEL AND SWITCH CAN BE LOCATED ANYWHERE WITHIN 100 FEET.
-COMPONENT LOCATIONS TO BE DETERMINED BY OTHERS.
-ALL COMPONENTS ARE MOUNTED IN A 16" x 12" x 4" ELECTRICAL ENCLOSURE BOX.



GROUP MONITOR OUTPUT
GROUP MONITOR OUTPUT RELAY
FORM C DRY CONTACT RELAY RATED 1A, 28VDC

RELAY CONNECTION:
NC:
COM:
NO:

-RELAY IS ON WHEN ALL WINDOWS IN THE GROUP ARE OPEN.

SAMPLE DIAGRAM FOR DEMONSTRATION
8 POWER RANGE ACTUATORS CONTROLLED BY A CONTROL PANEL FROM 1 KEY SWITCH, BUILDING MANAGEMENT SYSTEM THRU A DRY CONTACT (NOT BY CLEARLINE, INC) OR COMMUNICATION BOARD.

CLEARLINE INC.

810-D DICKERSON ROAD

P.O. BOX 1368

NORTH WALES, PA 19454-0368

PH# 215-699-9292 FAX# 215-699-7112