

CLEARLINE INC.

WINDOW CONTROL SYSTEM

24 VDC MOTORIZED ACTUATOR SYSTEMS



**P/N 1992 POWER RANGE
STATE-OF-THE-ART DESIGN.....
BUILT TO LAST**

The chain, made from double sprocket stainless steel, is adjustable. The lines of the case give the the actuator a pleasant appearance and the different mounting brackets allow for the installation in a variety of situations.

The electrical parts are constructed with double insulation and contained in a plastic body to ensure the highest level of protection from the elements.

The case is made of cast alloy, coated in epoxy powders, available in three colors;

White, Bronze or Silver. (Special Order colors available -Industry Standard/Market Price)

Approved component of our ETL certified system

Dimensions: 11-1/4"H x 4"W x 2"H

Max load Max load in thrust: 300N / 67lb

Max load in traction: 300N / 67lb

Strokes adjustable in 2" increments: 4", 6", 8", 10", 12", 14"

Protection degree : IP55

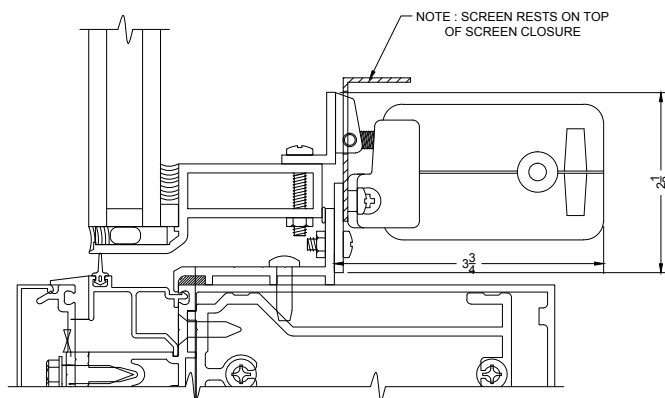
Acoustic device that warns of improper alignment
(ex. Racked window)

CE marked device

ELECTRICAL NOTES

Our low voltage motorized system includes:

The actuator, 3-position switch, control panel and window attachments. It does not include installation, field wiring, switch boxes, electrical conduit or junction boxes necessary to comply with electrical codes.



THE CLEAR CHOICE

FOR ENERGY CONSERVING WINDOW CONTROL MANAGEMENT
GREEN SINCE 1969

[WWW . CLEARLINEINC. COM](http://WWW.CLEARLINEINC.COM)

PH 215-699-9292

FAX 215-699-7112

P. O . BOX 1368 810-D DICKERSON ROAD

NORTH WALES, PA 19454-0368