

# CLEARLINE INC.

WINDOW CONTROL SYSTEM

## 24 VDC MOTORIZED ACTUATOR SYSTEMS



**P/N 2201**

**I-NEX ACTUATOR**

Double link articulated chain capable of controlling project-out and project-in windows.

Available in 10" or 14"

Available in a Grey, White or Black Finish.

**Dimensions:**

Frame mount : 15"L x 2-1/2"W x 2"H

Sill mount: 15-3/4" L x 1-7/8"W x 1-1/4"H

Maximum traction and thrust force  
300 N

Protection degree IP30

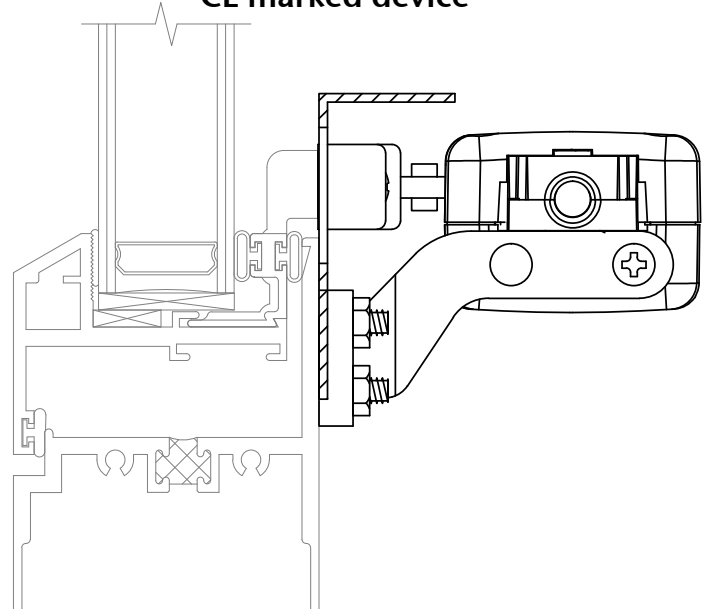
CE marked device

### ELECTRICAL NOTES

Our low voltage motorized system includes:

The actuator, 3-position switch, control panel and window attachments.

It does not include installation, field wiring, switch boxes, electrical conduit or junction boxes necessary to comply with electrical codes.



## THE CLEAR CHOICE

FOR ENERGY CONSERVING WINDOW CONTROL MANAGEMENT

[WWW.CLEARLINEINC.COM](http://WWW.CLEARLINEINC.COM)

215-699-9292

FAX 215-699-7112

P. O. BOX 1368 810-D DICKERSON ROAD

NORTH WALES, PA 19454-0368